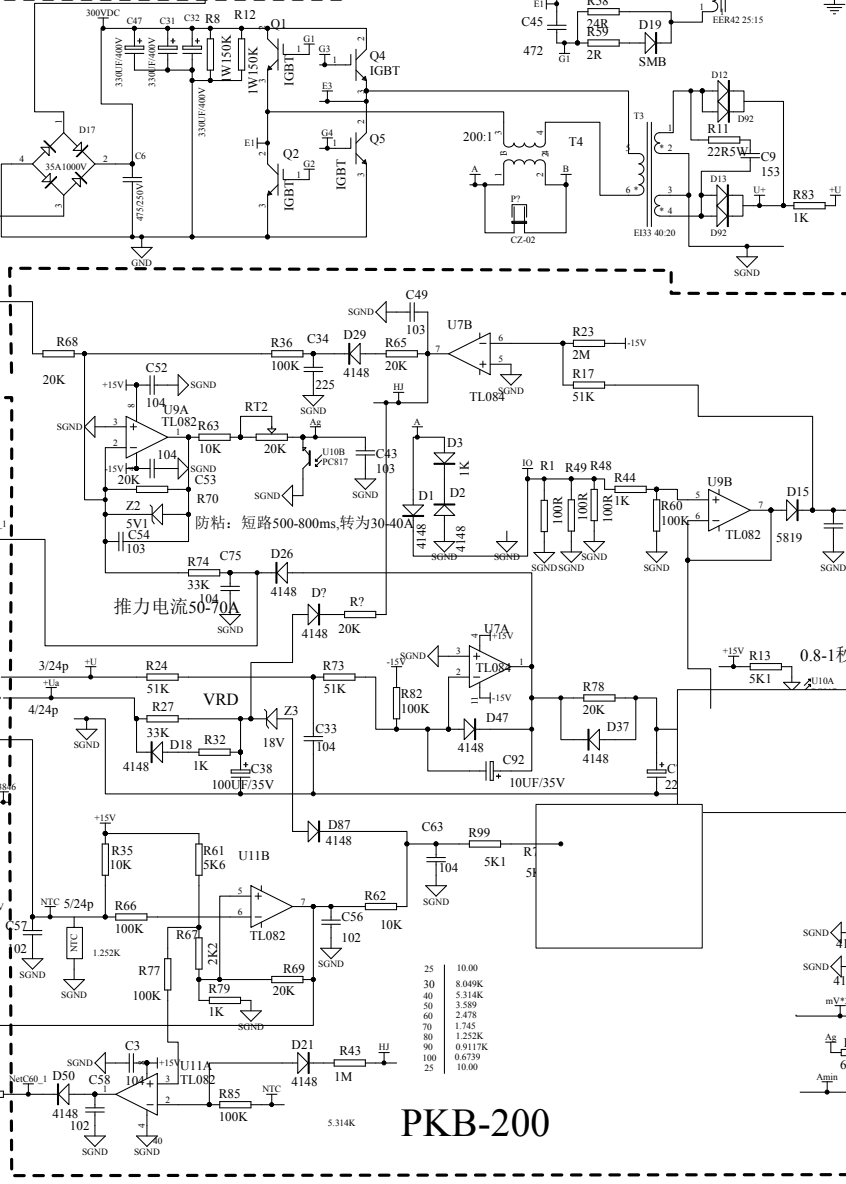
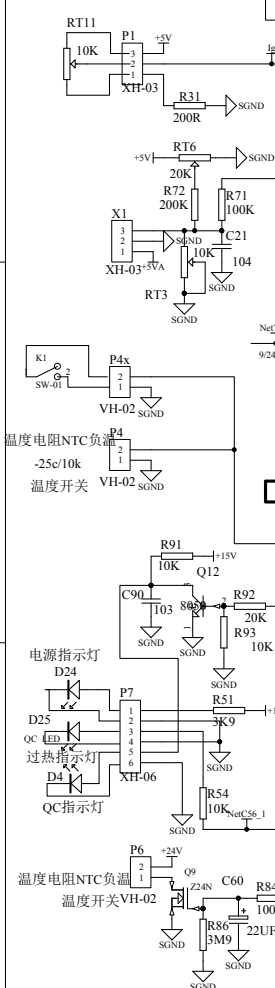
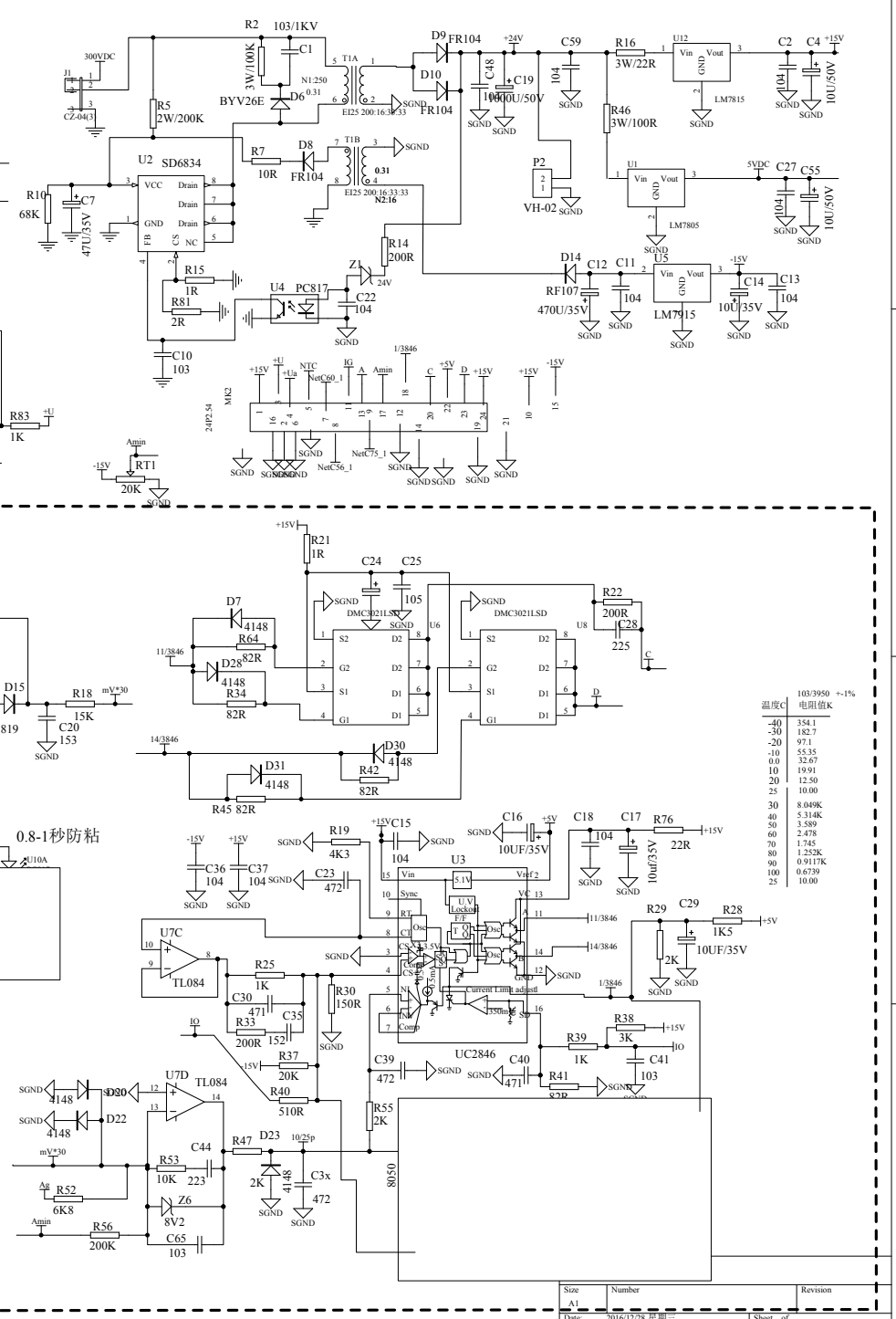


PMB-10



PKB-200

25	10.00
30	8.049K
40	5.314K
50	3.589
60	2.478
70	1.745
80	1.252K
90	0.9117K
100	0.6739
25	10.00



温度C	103/3950	-1%
电阻值K		
-40	354.1	
-30	182.7	
-20	97.1	
-10	55.35	
0.0	32.67	
10	19.94	
20	12.50	
30	10.00	
35	8.049K	
40	5.314K	
50	3.589	
60	2.478	
70	1.745	
80	1.252K	
90	0.9117K	
100	0.6739	
25	10.00	